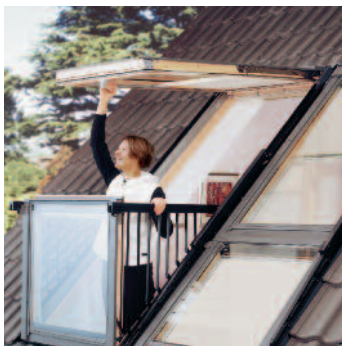


CABRIO® Roof window balcony system – GDL



Combined roof window and balcony.



The CABRIO® roof balcony window can be used on its own in roof pitches 35° and 53°. It can also be used, to great effect, in conjunction with a combination comprising GPL top-hung and GIL fixed lower window elements.

Application

Features –

- The CABRIO is available in 3 options, single, double or triple
- Single CABRIO consists of:
 - Top section
 - Bottom section
- Optional one or two side units can be added to make the double or triple system
- Toughened outer pane with clear and clean coating and laminated inner pane
- Supplied as a complete unit including flashings (support timmers included with combination packages)

Benefits –

- Offering the customer more options depending on their requirements
 - The upper section is a top-hung roof window which opens outwards
 - The lower section unfolds into a glazed balcony with side railing
- Offering more choice dependant upon space and personal requirements
- Safety glazing to suit building regulation requirements
- Convenient to order as complete packages

Operation

The CABRIO Balcony is manually operated and opens and closes easily on powerful, spring assisted hinges. The upper section opens using the bottom handle, the lower section is fitted with two handles which allows the user to push the window outwards and also assists when pulling the window closed.

Maintenance

The pane should be cleaned with a soft, clean, lint-free cloth or non-abrasive sponge. The rest of the window can be cleaned with ordinary household cleaners. The filter can be removed and either washed or replaced.

Guarantee

- 10 year VELUX guarantee on windows and flashings
- 3 year guarantee for the electrical items, blinds, shutters and awnings

Pane variants:

- (--73) Toughened outer pane with clear and clean coating and laminated inner pane for additional safety.
- (--60) Improved U-value and greater noise reduction. Toughened outer pane with clear and clean coating and laminated inner pane for additional safety.
- (--65) Triple glazing, lowest U-value and noise reduction. Toughened outer pane with clearview coating to minimise the formation of condensation on the external pane, 3mm middle pane and laminated inner pane for additional safety.

Interior variants:

- White paint finish (GDL).

Variants

Cladding variants:

- NCS standard colour: S 7500-N nearest RAL standard colour: 7043.
- Also available: titanium zinc, copper or other cladding types and colours.

Installation products recommended by VELUX:

Flashings for

- Single installation (ED_)
- Twin installation (EB_)
- Combi installation (EK_)



Installation products

- Insulation Collar (BDX)
- Underfelt Collar (BFX) includes transverse drainage gutter
- Vapour Barrier (BBX)



Blinds, awnings and shutters:

Interior sunscreening*

- Blackout blind – Manual (DKL) or Solar (DSL)
- Roller blind – Manual (RFL) or Solar (RSL)
- Flying Pleated blind – Manual (FHL)
- Venetian blind – Manual (PAL)
- Duo Blackout blind – Manual (DFD)

* Manual and Solar blinds can be used on manual windows, electric blinds are for use on electric windows only



Exterior sunscreening†

- Awning blind – Manual (MAL)
- Roller shutter – Manual (SCL)

† Solar and electric options also available



Additional accessories

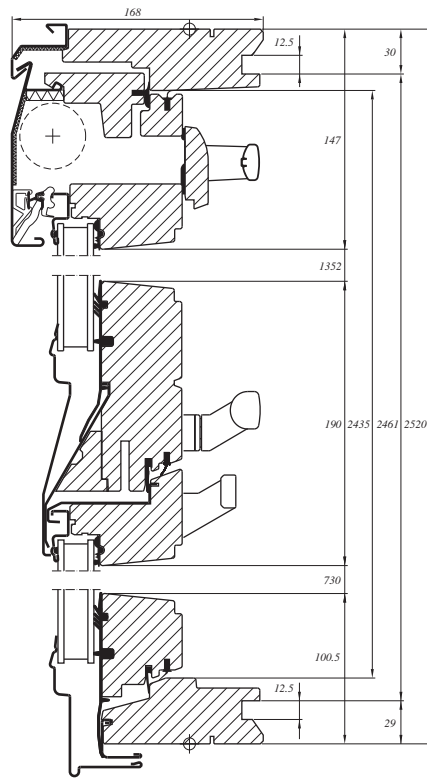
- Insect screen – Manual (ZIL)



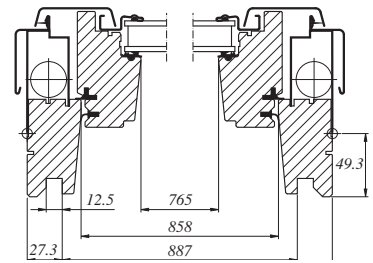
Technical data – CABRIO® GDL

Cross-section/
measurements (mm)

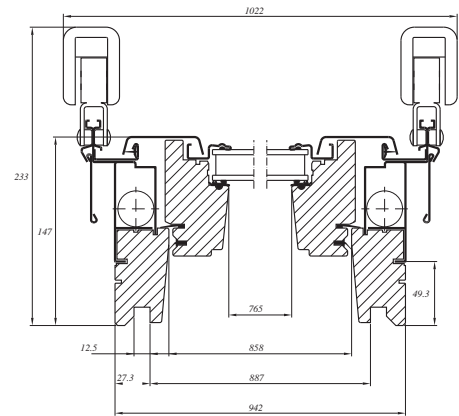
Vertical section



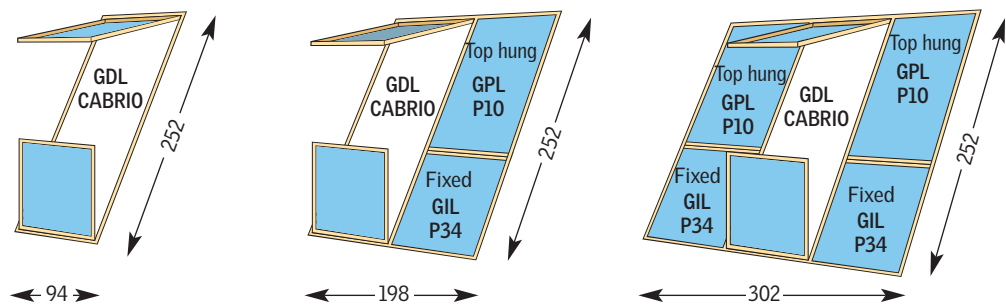
Horizontal section, top element



Horizontal section, bottom element



Sizes (cm)



Available in sets including flashings

VELUX GB/IRL product packages

Technical data

	Size	P19	P10	P34	Pane variant	--73	EN/ISO Standard
Ventilation flap – free area [10 ³ mm ²]		5.4	5.4	–	Thermal transmittance, U _w [W/m ² K]	1.6	EN ISO 10077-1/2
Ventilation flap – equivalent area [10 ³ mm ²]*		4.6	4.6	–	Sound insulation, R _w [dB]	35	EN ISO 717-1
Ventilation – open window [m ²]		2.09	1.30	–	Air permeability	Class 3	EN 12207
Effective daylight area [m ²]		1.59	1.03	0.56	Light transmittance, τ _v	0.77	EN 410
					Total solar energy transmittance, g	0.56	EN 410

*Measured to EN 13141-1